



Dewaxing Autoclave Systems

Industries, Inc.



AUTOCLAVE SYSTEMS FOR THE INVESTMENT CASTING INDUSTRY

In support of the investment casting industry, WSF Dewaxing Autoclaves assure uniform ceramic shell heating for complete process mold dewaxing. Manufactured to meet virtually any production specification, WSF Dewaxing Autoclave Systems may be skid-mounted, thus becoming completely integrated equipment packages... factory-piped, wired, and instrumented for on-site installation convenience.



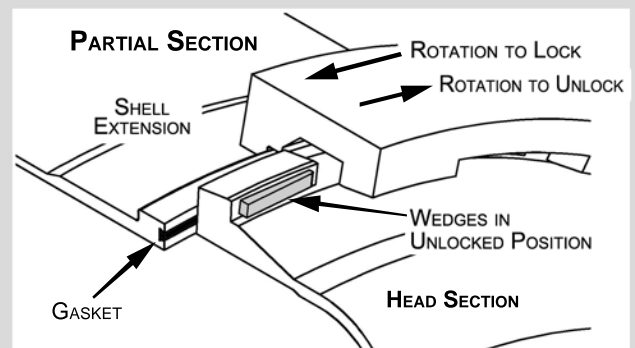
FEATURES OF WSF DEWAXING AUTOCLAVE SYSTEMS

1. Complete packaged systems.
2. Autoclave sized to your production needs.
3. O-ring gasket seal is easily replaced, inexpensive, and has long life. (no abrasion by rotating parts)
4. Pressures and temperatures can be attained in seconds (programmable time vs. pressure available).
5. Venting can be programmable (time vs. pressure).
6. Steam generating system is powered by preferred fuel (natural gas, propane, fuel oil) or electricity.
7. Energy efficient design reduces payback time by sizing Autoclave & Boiler system to your production requirements.
8. Optional features allow customer choice of operating controls, recording, data logging.
9. Many replacement components stocked for overnight shipment. Factory service readily available.
10. Designed, manufactured, tested, and serviced from WSF's plant in Tonawanda, NY, USA



RAPIDOR®

WSF's unique, wedgelock, breech-action, RapiDoor design provides fast and trouble-free opening/closing of the access door.

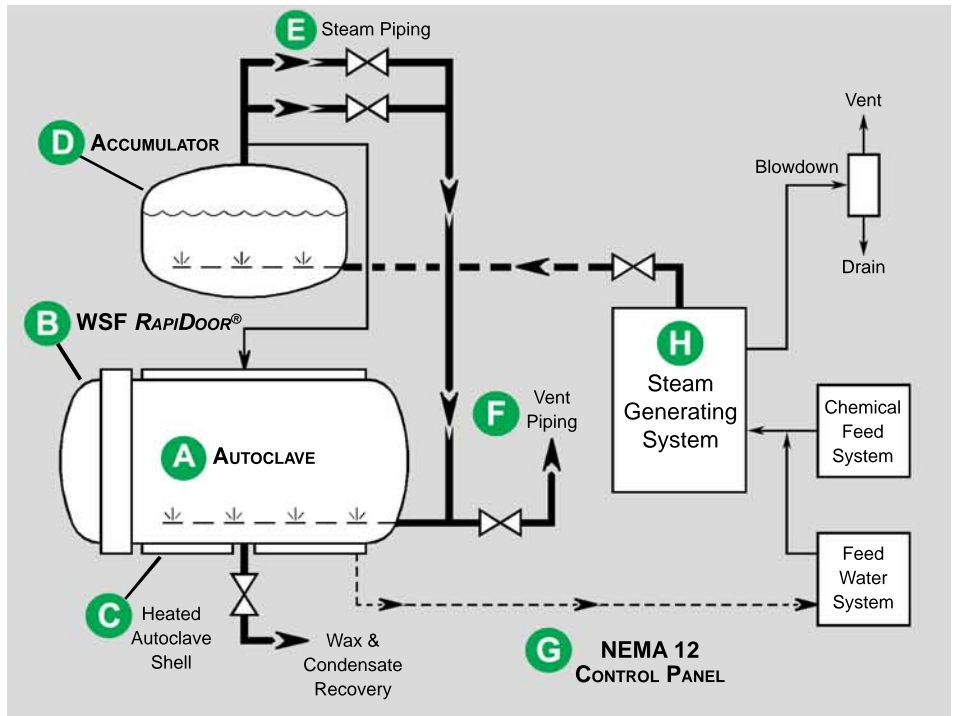


**DEWAXING AUTOCLAVE
COMPONENT FEATURES INCLUDE:**

- A AUTOCLAVE**
Designs are sized to hold ceramic shell load & range from pilot to large production systems. WSF's time-proven, standard-configured models are modified, if necessary, to meet specific applications.
- B WSF RAPI DOOR®**
Quick-opening closure allows fast and easy access for ceramic shell loading and unloading.
- C HEATED AUTOCLAVE SHELL**
Externally heated, insulated autoclave shell minimizes energy consumption and condensate accumulation.

- D ACCUMULATOR**
Wet accumulator design allows autoclave setpoint pressures to be attained while minimizing steam generating system horsepower requirements. Efficient design allows faster regeneration times and more cycles per shift than other manufacturer's designs.

** Features can be customized to meet specific requirements.*



- E *STEAM PIPING**
Main and secondary valving systems allow critical pressure setpoints to be achieved.
- F *VENT PIPING**
Option: Controlled venting system (depressurization vs. time)
- G *NEMA 12 CONTROL PANEL**
Options: PLC controlled, HMI operator interface, process variable recording, paperless recording, data logging.
- H *STEAM GENERATING SYSTEM**
Powered by natural gas, propane, fuel oil, or electric.

WSF LEACHING SYSTEMS

WSF Leaching Autoclave Systems are designed for operation with caustic solutions at elevated temperatures and pressures. Nickel alloys and other special materials are used to protect surfaces that come in contact with the caustic solution. Both temperature and pressure may be variably controlled. Models available from basic manual controls to programmable, fully automated systems. Program options include agitation, heating, cooling, filling, draining, rinsing, with repeat cycles as required.



WSF Industries, Inc.
7 Hackett Dr.
Tonawanda, NY 14150

Toll Free: (800) 874-TANK (8265)
Telephone: (716) 692-4930
Fax: (716) 692-4135

email: sales@wsfindustries.com
web: www.wsfindustries.com

